

Helping Customers Innovate, Improve & Grow



The MD-173 is a Vectron "Coefficient Oscillator" (CCXO) that contains a high-stability ovenized crystal oscillator and an I²C interface that communicates with temperature and current sensors, and an onboard EEPROM. The interface enables the customer to improve upon the already exceptional stability of the oscillator. Provided in a fully hermetic 28 x 38 mm package, the device is capable of aging rates of ≤ 0.06 ppb/day and uncorrected temperature stabilities of 0.4ppb from 0 to 70 °C. Use of the information provided in the I²C interface provides a cost effective means of further improving temperature stability.

Features

- Reflow process compatible
- Uncorrected temperature stability to 0.4 ppb
- Aging rate to 0.06 ppb/day
- Frequency range 5 to 20 MHz
- Standard frequencies: 5, 10, 12.8, 20 MHz
- I²C interface with frequency coefficients, temperature sensor, and current sensor

Applications

- LTE base stations
- Rubidium replacement
- Military communication equipment

Performance Specifications

Frequency Stabilities ¹ (Stabilities listed for ≤ 10 MHz. For stabilities > 10 MHz refer to page 6)					
Parameter	Min	Typical	Max	Units	Condition
vs. Operating Temperature Range (referenced to +25°C) (uncorrected)	-0.4		+0.4	ppb	0 to +70°C
	-0.6		+0.6	ppb	-20 to +70°C
	-0.8		+0.8	ppb	-40 to +85°C
Initial Tolerance	-25		+25	ppb	at time of shipment, nominal EFC
vs. Supply Voltage Change	-0.5		+0.5	ppb	$V_s \pm 5\%$
vs. Load Change	-0.2		+0.2	ppb	Load $\pm 5\%$
vs. Aging / Day	-1		+1	ppb	after 24 hours operation
vs. Aging / Day	-0.1		+0.1	ppb	after 72 hours operation
vs. Aging/ Day	-0.06		+0.06	ppb	after 7 days operation
vs. Aging / 1 st Year	-15		+15	ppb	after 72 hours operation
vs. Aging / Year (following year)	-10		+10	ppb	
vs. Aging/ 10 years	-75		+75	ppb	after 72 hours operation
Hysteresis	-0.2		+0.2	ppb	maximum 4th order curve fit error over -40 to 85 10 °C/hour
Retrace ²	-10		+10	ppb	
Warm-up Time			5	minutes	to ± 10 ppb of final frequency (1 hour reading) @ +25°C
Improved Frequency versus temperature F(T) performance obtained using on board temperature sensor (T) and frequency vs. temperature coefficients (A_n) stored in EEPROM, using formula:					
$F(T) = A_4 T^4 + A_3 T^3 + A_2 T^2 + A_1 T + A_0$					

Performance Specifications

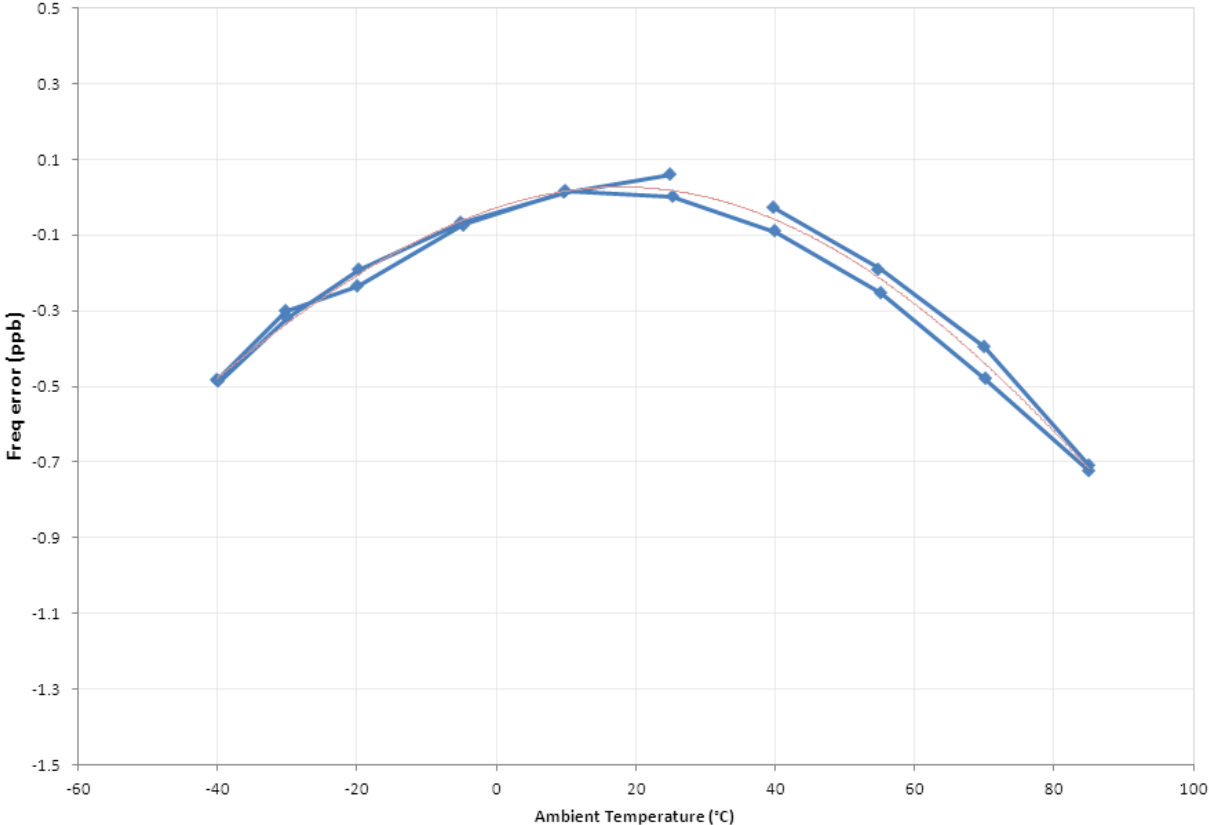
Supply Voltage (Vs)					
Parameter	Min	Typical	Max	Units	Condition
Supply Voltage (Vs)	4.75	5.0	5.25	VDC	Ordering code D
	11.4	12.0	12.6	VDC	Ordering code B, temp stability T and J only
Power Consumption			4.5	Watts	during warm-up, all temperatures
			1.8	Watts	steady state @ +25°C
		4		Watts	steady state @ -40°C
		1.0		Watt	steady state @ +85°C
RF Output					
Start Time		1	2	s	time required to achieve 90% of amplitude
Subharmonics			-30	dBc	frequencies ≥ 10 MHz
Signal [standard]	HCMOS				
Load		15		pF	
Signal Level (Vol)			0.5	VDC	with Vs=5.0V & 12V and 15pF Load
Signal Level (Voh)	3.5			VDC	with Vs=5.0V & 12V and 15pF Load
Duty Cycle	45		55	%	@ (Voh-Vol)/2
Signal	Sine Wave				
Load		50		Ω	
Output Power @ 5.0V,12 V	+5	+8	+11	dBm	
Harmonics			-40	dBc	
Frequency Tuning (EFC)					
Tuning range	±150		±350	ppb	16 bit DAC controlled through I2C interface (fixed frequency option available)
Linearity		10		%	
Tuning Slope	Positive				

Additional Parameters					
Parameter	Min	Typical	Max	Units	Condition
Phase noise ³			-95	dBc/Hz	1 Hz
			-125	dBc/Hz	10 Hz
			-135	dBc/Hz	100 Hz
			-140	dBc/Hz	1 kHz
			-145	dBc/Hz	10 kHz
Allan Deviation			5e-12		1 s tau
			8e-12		10 s tau
			1e-11		100 s tau
			5e-11		1000 s tau
g-sensitivity		1		ppb/g	
Weight			30	g	

EEPROM (SCL, SDA) Pin 1, Pin 2					
Parameter	Min	Typical	Max	Units	Condition
BUS voltage		3.3		V	
SCL Clock Frequency	0		100	kHz	
Communications	Reference I ² C Protocol				22.1 kOhm pull-up resistor used on SDA and SCL lines
AC electrical characteristics	-40 to 85 °C for all parameters				
Devices and addresses EEPROM - Atmel AT24C08C for EEPROM, address 1010100-1010111 Temperature Sensor - LM73 (set to 14 bit resolution), address 1001000 Current Sensor – MCP3021, address 1001101 DAC for EFC - TI DAC8571, address 1001100x Reserved Addresses (used by factory) 1010100x 1010101x 1010110x 1010111x 1001000x 1001101x 0101001x 0101010x 0101000x 1001100x 1110111x For full EEPROM Map please contact factory					

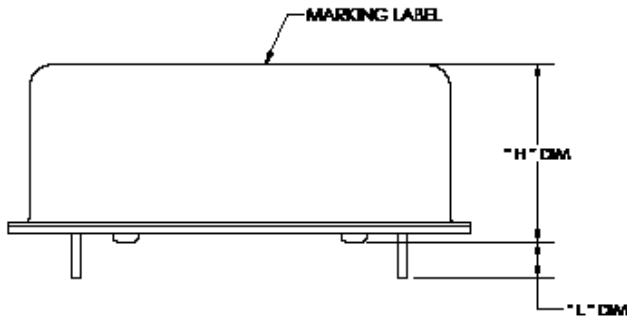
Absolute Maximum Ratings					
			15.0	VDC	
Output load	25		50 open	pF Ohms	CMOS Sine
Operable temperature range	-55		+95	°C	Operable temperature range implies the device will continue to operate with no long-term damage to unit; however, it will not be specification compliant outside the operating temperature range.
Environmental and Product Classification					
Shock (Endurance)	MIL-STD-202, Method 213, Condition J, 30g 11 ms				
Sine Vibration (Endurance)	MIL-STD-202, Method 201 and 204, Condition A, except 5g to 500 Hz, 1 sweep each axis				
Random Vibration (Endurance)	MIL-STD-202, Method 214, Condition I-D				
Humidity	MIL-STD-202, Method 103, Condition B, 100% rh				
Seal	MIL-STD-202, Method 112, Condition D, hermetic, washable				
Altitude	MIL-STD-202, Method 105, sea level to space				
Resistance to Soldering Heat	MIL-STD-202, Method 210, Condition A,B,C				
Terminal Strength	MIL-STD-202, Method 211, Condition C (5 bends at 45°, 2 lbs)				
Moisture Sensitive Level	1				
RoHS	6 (fully compliant)				
Storage Temperature Range	-55		+125	°C	

Frequency vs. Temperature

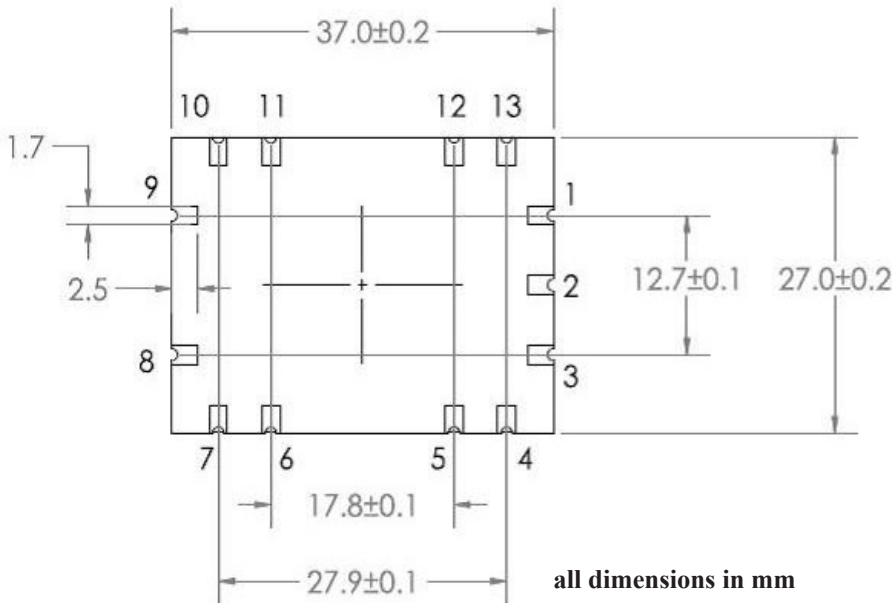
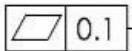
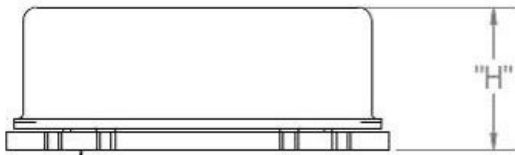
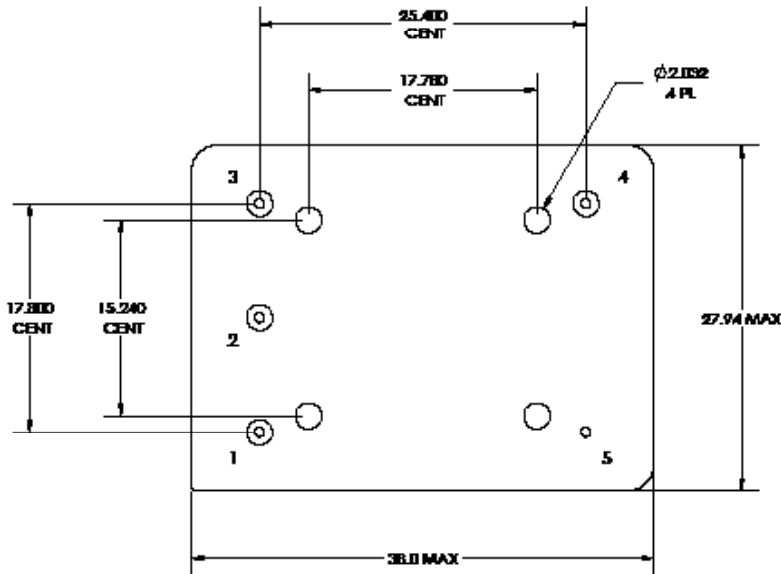


Frequency vs temperature plot -uncorrected
Blue line - measured data -
Red line - curve fit of data.

Outline Drawing / Enclosure



5 PL



Through hole Package configuration A

	Height "H"	Pin Length "L"
0	19 max	4.5 mm min

Pin Connections

1	I ² C Clock
2	I ² C Data
3	Supply Voltage Input (Vs)
4	RF Output
5	Ground (Case)

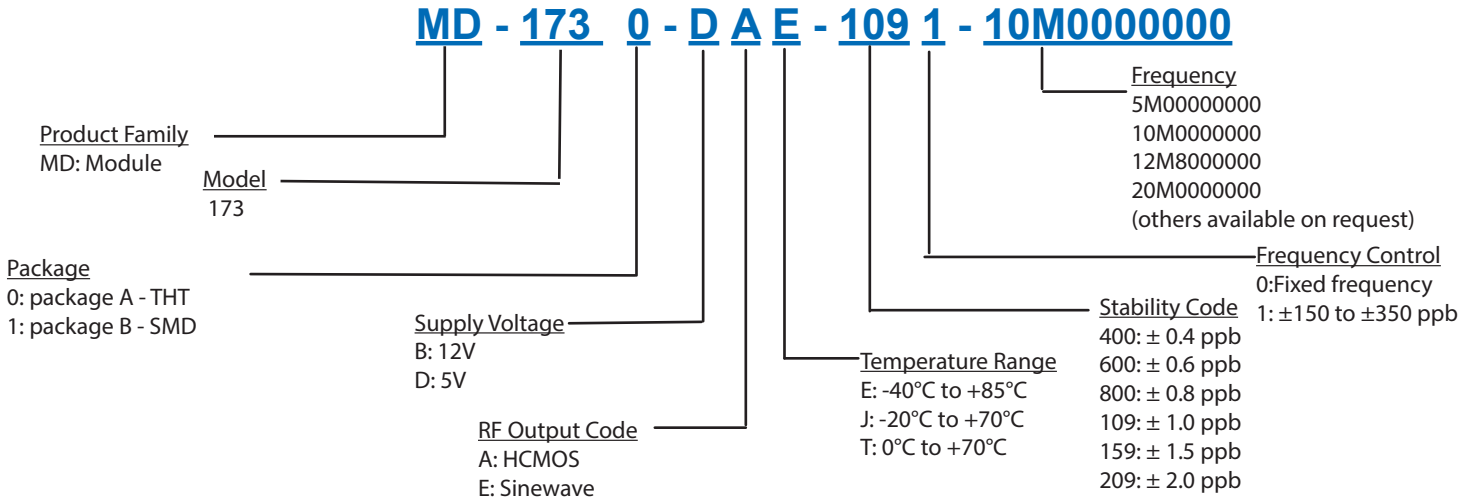
Surface mount Package configuration B

	Height "H"	Pin Length "L"
1	20.3 max	4.5 mm min

Pin Connections

4,5,6,7, 11,12,13	No Connect
1	I ² C Clock
2	I ² C Data
3	Supply Voltage Input (Vs)
8	RF Output
9,10	Ground (Case)

Ordering Information⁴



Stability code - Temperature and Frequency Options			
Frequency	0 to +70 °C	-20 to +70 °C	-40 to +85°C
5 to 10 MHz	400	600	800
> 10 MHz	109	159	209

Additional Ordering Options

Additional ordering options available include custom aging rates, custom temperature ranges, custom temperature stabilities, custom phase noise requirements, and improved g-sensitivity. These modifications require a custom dash number - please contact the factory for additional information.

Design Tools

Vectron stocks the following items for small orders and prototype development:
MD-1730-DEE-8000-5M00000000
Vectron stocks the following evaluation board for this product:
OCXO Evaluation Board
Application Notes:
Coefficient Oscillators

Notes:

1. Unless otherwise stated, all values are valid after warm-up time and refer to typical conditions for supply voltage, frequency control voltage, load, and temperature (25°C).
2. Retrace defined as f1-fo where fo is the reading after the unit has been on power for 24 hours, and f1 is the frequency after 24 hours off followed by 60 minutes on.
3. Phase noise degrades with increasing output frequency.
4. Not all options and codes available at all frequencies.

For Additional Information, Please Contact

USA:

Vectron International
267 Lowell Road, Unit 102
Hudson, NH 03051
Tel: 1.888.328.7661
Fax: 1.888.329.8328

Europe:

Vectron International
Landstrasse, D-74924
Neckarbischofsheim, Germany
Tel: +49 (0) 3328.4784.17
Fax: +49 (0) 3328.4784.30

Asia:

Vectron International
68 Yin Cheng Road(C), 22nd Floor
One LuJiaZui
Pudong, Shanghai 200120, China
Tel: +86 21 6194 6886
Fax: +86 21 6194 6699

Disclaimer

Vectron International reserves the right to make changes to the product(s) and or information contained herein without notice. No liability is assumed as a result of their use or application. No rights under any patent accompany the sale of any such product(s) or information.

Rev:2/24/2016 jar