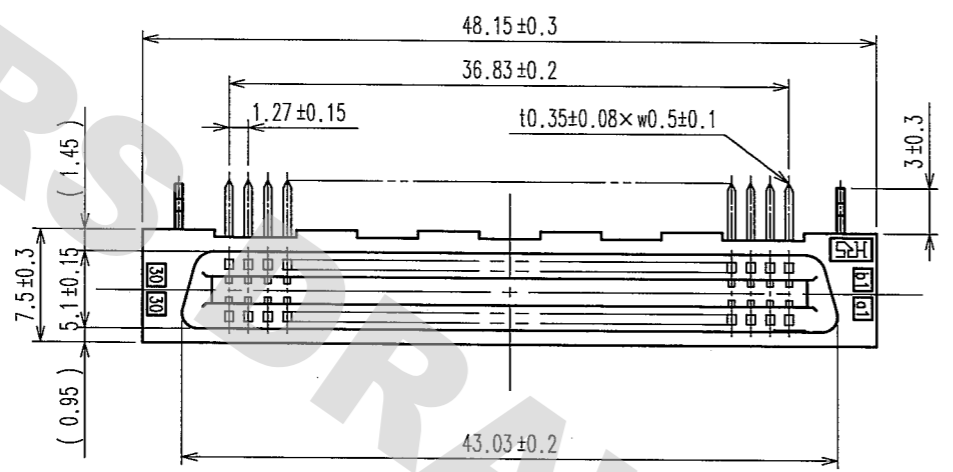


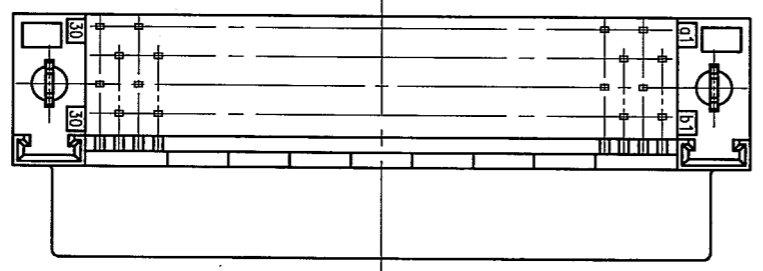
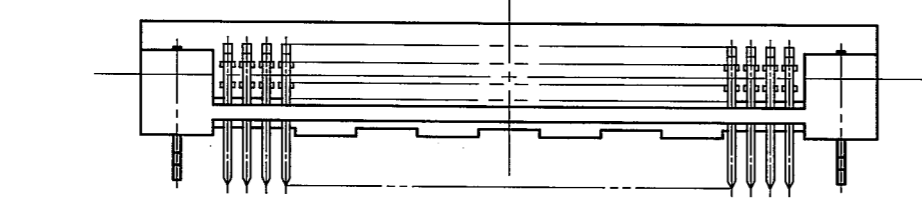
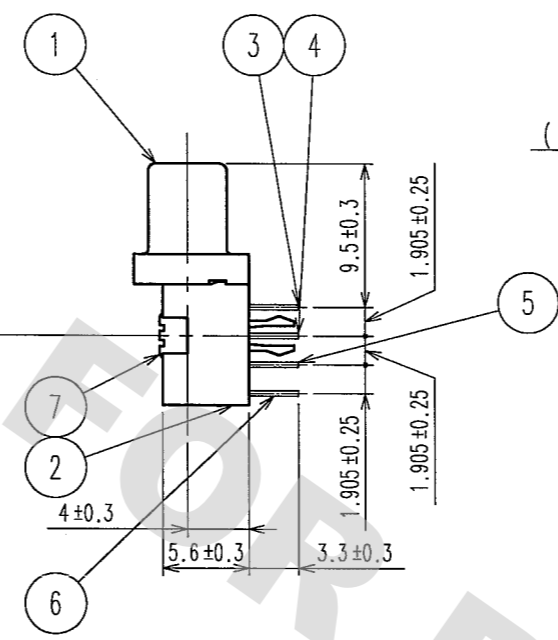
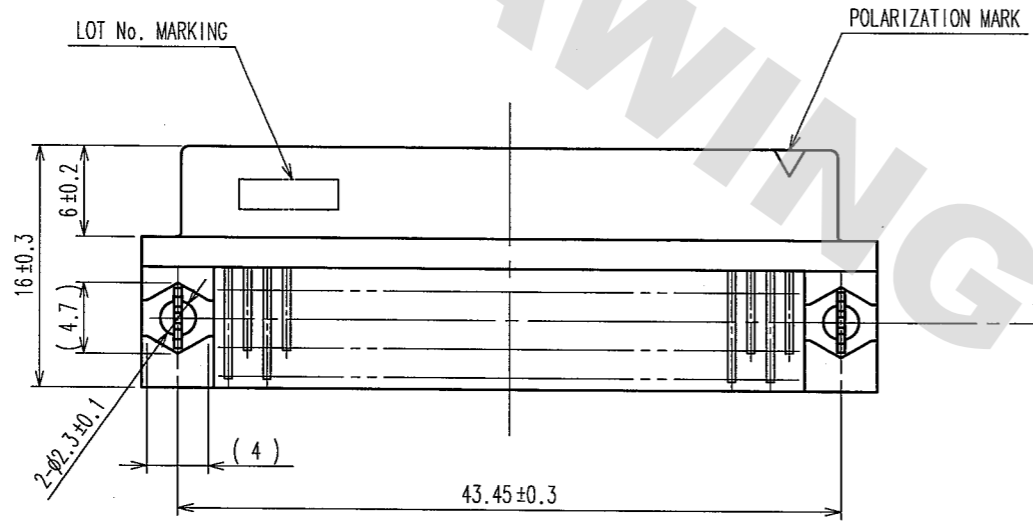
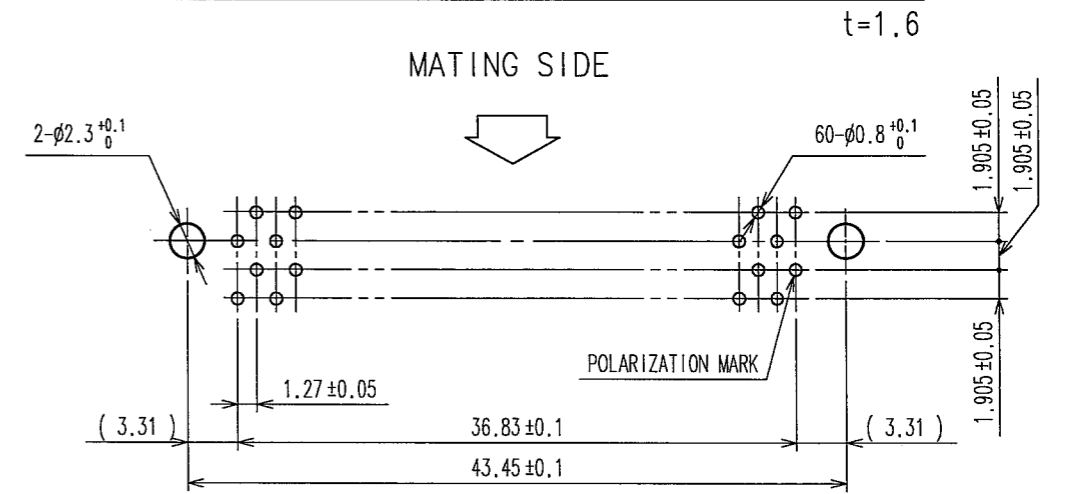
DRAWING FOR REFERENCE: This is subject to change without notice  
08/11/2012

TO  
PCK

COUNT	DESCRIPTION OF REVISIONS	BY	CHKD	DATE	COUNT	DESCRIPTION OF REVISIONS	BY	CHKD	DATE



RECOMMENDED PC BOARD HOLE PATTERN (MOUNTING SIDE)



NOTE 1. THE DIMENSIONS IN PARENTHESES ARE FOR REFERENCE.

7	PHOSPHOR BRONZE	TIN-PLATING	3~6	PHOSPHOR BRONZE	CONTACT AREA:GOLD 0.2μ m min.
1,2	POLYAMIDE	BLACK UL94V-0			DIP AREA:TIN-PLATING 2μ m min.
					UNDER PLATING:NICKEL 2μ m min.
NO.	MATERIAL	FINISH, REMARKS	NO.	MATERIAL	FINISH, REMARKS
CODE NO. (OLD)			DRAWN	DESIGNED	CHECKED
			K.NAKAMURA	K.NAKAMURA	H. Ogawa
			07.04.25	07.04.25	07.04.25
					H. Okama
					07.04.26
DRAWING NO.			PART NO.		
EDC3-083329-21			FX2-60S-1.27DSL(71)		
SCALE			CODE NO.		
2:1			CL572-2755-0-71		
UNITS			1/1		
mm			HRS HIROSE ELECTRIC CO., LTD		

