

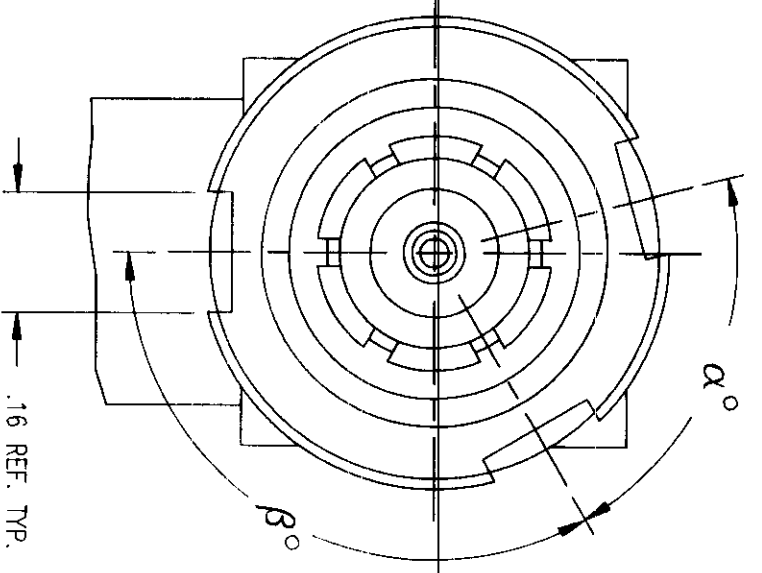
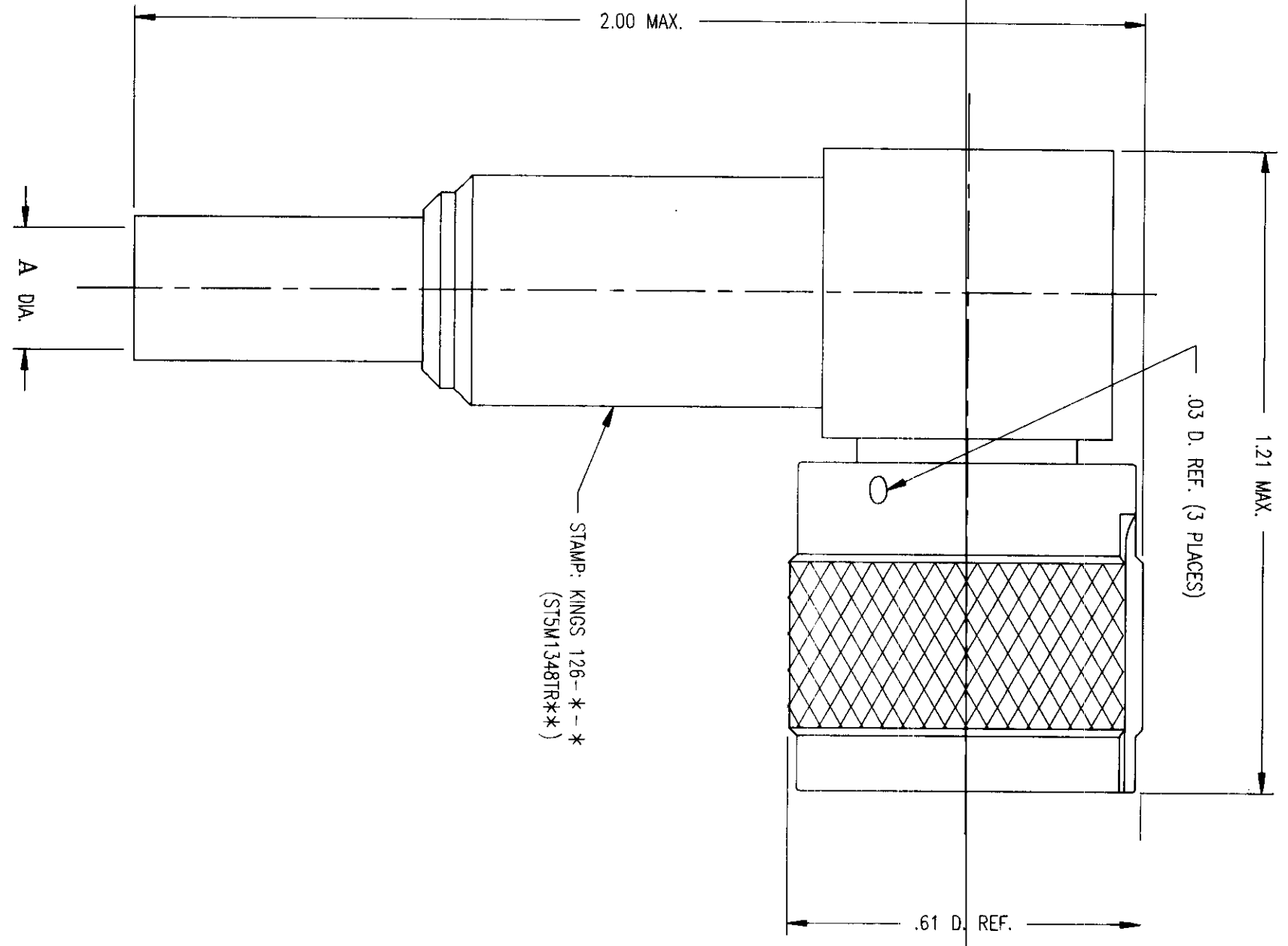
DASH NO. M CODE

MADE FROM

GSD

126-*-* (SHEET 1 OF 2)

REVISIONS	
ISSUE	CHANGES
1	CN 32553 E REDRAWN JCA 10/04/90



NOTES:

1. MATERIALS:
INSULATOR: TEFLON, ASTM-D-1457
GASKET: SIL. RUB., ZZ-R-765
CONTACTS } BER. COP., ASTM-B-196
C-RING }
K-GRIP SLEEVE: COM. BRONZE TUBE, ALLOY 220
ALL OTHER PARTS: BRASS, QQ-B-626
2. FINISHES:
CENTER CONTACT: HARD GOLD PLT. PER MIL-G-45204
ALL OTHER METAL PARTS: SILVER PLT. PER QQ-S-365
3. ELECTRICAL CHARACTERISTICS:
NOMINAL IMPEDANCE: 50 OHMS
VOLTAGE RATING: 500 VRMS
FREQUENCY RANGE: DC TO 11 GHZ

GSD

SCALE	4:1
APPROX SURFACE AREA	
USED ON	
REF:	MC AIR STM1348TR**
TNC ANGLE PLUG	
DRAWN	JCA DATE 10/04/90
DESIGN	MJB DATE 10/04/90
APPR.	DATE

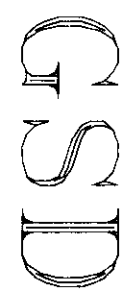
KINGS
ELECTRONICS CO., INC.
TUCKAHOE, NEW YORK 10707

126-*-*
(SHEET 1 OF 2)

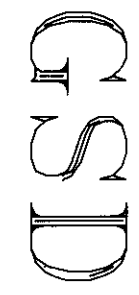
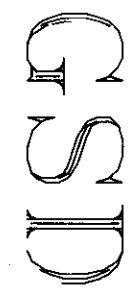
KINGS NO.	MCDONNELL DOUGLAS NO.	A DIA.	α°	β°	CABLE GROUPS	JACKET TRIM JIG	DIELECTRIC TRIM JIG	CRIMP DIE
126-1-1	STSM1348TR1B		72	120	FOR USE WITH RG-142, 223 & 400/U CABLE GROUPS.		KTD-166	
126-1-2	STSM1348TR2B		96	96				
126-1-3	STSM1348TR3B		120	144				
126-1-4	STSM1348TR4B	.22 D.	72	144				
126-1-5	STSM1348TR5B		120	120				
126-1-6	STSM1348TR6B		120	72				
126-1-7	STSM1348TR7B		120	96				
126-1-8	STSM1348TR8B		110	72				
126-2-1	STSM1348TR1C		72	120				
126-2-2	STSM1348TR2C		96	96				
126-2-3	STSM1348TR3C		120	144	FOR USE WITH G.D. 5M1010-1 CABLE.	KTD-24	KTH-2001	
126-2-4	STSM1348TR4C		72	144				
126-2-5	STSM1348TR5C		120	120				
126-2-6	STSM1348TR6C		120	72				
126-2-7	STSM1348TR7C		120	96				
126-2-8	STSM1348TR8C	.21 D.	110	72				
126-3-1	STSM1348TR1D		72	120				
126-3-2	STSM1348TR2D		96	96				
126-3-3	STSM1348TR3D		120	144				
126-3-4	STSM1348TR4D		72	144				
126-3-5	STSM1348TR5D		120	120	FOR USE WITH G.D. STSM1347 CABLE.	KTD-244		
126-3-6	STSM1348TR6D		120	72				
126-3-7	STSM1348TR7D		120	96				
126-3-8	STSM1348TR8D		110	72				
126-4-1	STSM1348TR1E		72	120				
126-4-2	STSM1348TR2E		96	96				
126-4-3	STSM1348TR3E		120	144				
126-4-4	STSM1348TR4E		72	144				
126-4-5	STSM1348TR5E	.18 D.	120	120				
126-4-6	STSM1348TR6E		120	72				
126-4-7	STSM1348TR7E		120	96	FOR USE WITH G.D. STSM1351 & RG-180 CABLE.	KTD-161	KTH-2007	
126-4-8	STSM1348TR8E		110	72				

126-*-* (SHEET 2 OF 2)

REVISIONS	
ISSUE	CHANGES
1	CN 32553 E REDRAWN JCA 10/04/90



SCALE	1:1
APPROX SURFACE AREA	
USED ON	
REF:	MC AIR STSM1348TR**
TNC ANGLE PLUG	
DRAWN	JCA DATE 10/04/90
DESIGN	MJB DATE 10/04/90
APPR.	DATE



KINGS
ELECTRONICS CO., INC.
YONKOH, NEW YORK 10707

126-*-*
(SHEET 2 OF 2)