

AN-1876 LM2841 Evaluation Board

1 Introduction

The LM2841 is a PWM DC/DC buck (step-down) regulator. With a wide input range from 4.5V-42V, it is suitable for a wide range of applications from automotive to power conditioning from unregulated sources. The LM2841 evaluation board is designed to provide the design engineer with a fully functional power converter based on the buck topology to evaluate the LM2841 series of buck regulators. The evaluation board comes populated with the LM2841YMK-ADJL but can easily be modified to accommodate any of the LM2841 regulator ICs.

2 Features

- 4.5V to 42V Input Voltage Range
- 3.3V Output Voltage
- Up to 300 mA Output Current
- 89% Efficiency at 300 mA
- Switching Frequency of 1.25 MHz
- Frequency Foldback Current Limit of 550 mA
- Internal Compensation

3 Shutdown Operation

The evaluation board includes a 3 pin header and a jumper to select whether the device is on or off. Placing the jumper in the "ON" position ties $\overline{\text{SHDN}}$ to VIN and enables the device. Placing the jumper in the "OFF" position ties $\overline{\text{SHDN}}$ to GND and disables the device. The jumper may be removed and a logic signal may be applied to the center pin to test startup and shutdown of the device.

4 Adjusting the Output Voltage

The output voltage can be changed from 3.3V to another voltage by adjusting the feedback resistors using the following equation:

$$V_{\text{OUT}} = V_{\text{FB}}(1 + (R1/R2)) \quad (1)$$

Where V_{FB} is 0.76V.

5 Evaluation Board Schematic

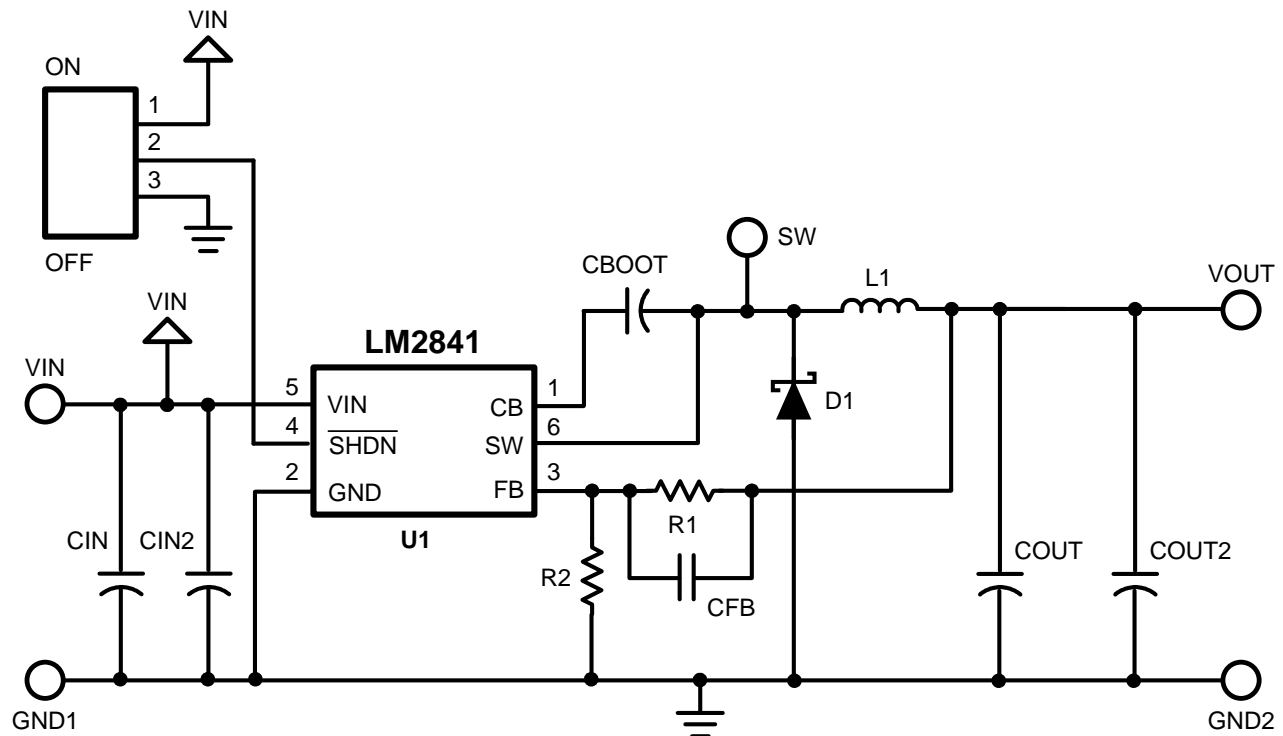


Figure 1. LM2841 Evaluation Board Schematic

6 Bill of Materials

Table 1. Bill of Materials (BOM)

ID	Part Number	Type	Size	Parameters	Qty	Vendor
U1	LM2841	Buck Regulator	SOT-6		1	Texas Instruments
L1	DO1608C-153MLC	Inductor	1608	15 μ H, 0.9A	1	Coilcraft
D1	MA2YD2600L	Diode	SOD-123	60V, 800 mA	1	Panasonic
CIN	GRM31CR71H225KA88	Capacitor	1206	2.2 μ F, 50V	1	Murata
CIN2	OPEN					
COUT	GRM32ER60J476ME20	Capacitor	1210	47 μ F, 6.3V	1	Murata
COUT2	OPEN					
CFB	OPEN					
CBOOT	VJ0805Y154KXXA	Capacitor	0805	0.15 μ F	1	Vishay/Vitramon
R1	CRCW08053K40FKEA	Resistor	0805	3.4 k Ω	1	Vishay
R2	CRCW08051K02FKEA	Resistor	0805	1.02 k Ω	1	Vishay
ON/OFF		1X3 header	HDR1X3	0.100 Spacing	1	
ON/OFF	382811-6	Shunt			1	Tyco/Amp
VIN, VOUT, GND1, GND2, SW	1502-2	Test Post	TP 1502		5	Keystone

7 Typical Performance Characteristics

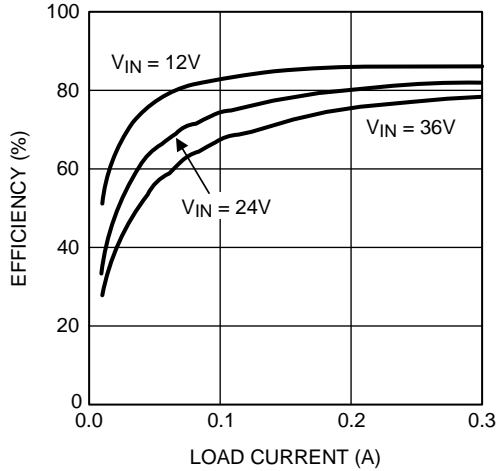


Figure 2. Efficiency vs. Load Current

VIN = 12V, VOUT = 3.3V, IOU_T = 200 mA
 Top Trace: VOUT, 10 mV/div, AC Coupled
 Bottom Trace: SW, 5V/div, DC Coupled
 T = 400 ns/div

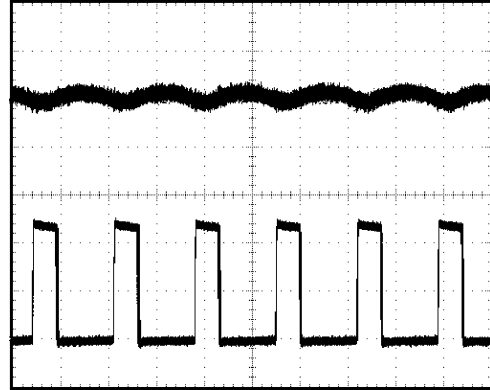


Figure 3. Switching Node and Output Voltage Waveforms

VIN = 12V, VOUT = 3.3V, IOU_T = 200 mA to 300 mA
 Top Trace: VOUT, 20 mV/div, AC Coupled
 Bottom Trace: IOU_T, 100 mA/div, DC Coupled
 T = 200 μs/div

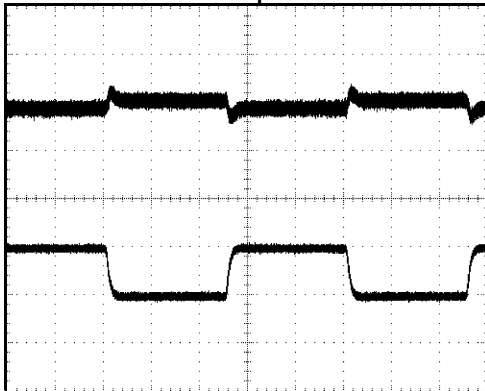


Figure 4. Load Transient Waveforms

VIN = 12V, VOUT = 3.3V, IOU_T = 50 mA
 Top Trace: VOUT, 1V/div, DC Coupled
 Bottom Trace: SHDN, 2V/div, DC Coupled
 T = 40 μs/div

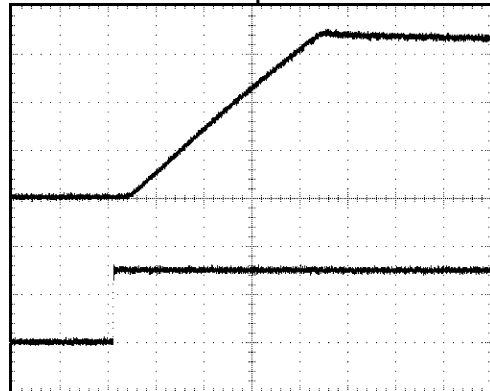


Figure 5. Startup Waveform

8 Layout

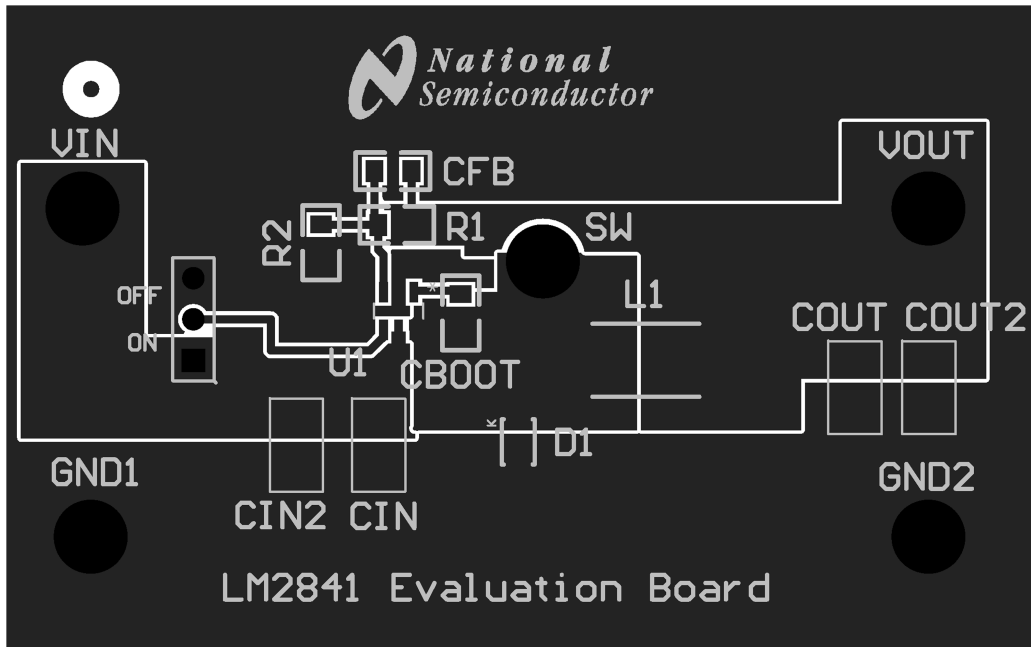


Figure 6. Top Layer and Top Overlay

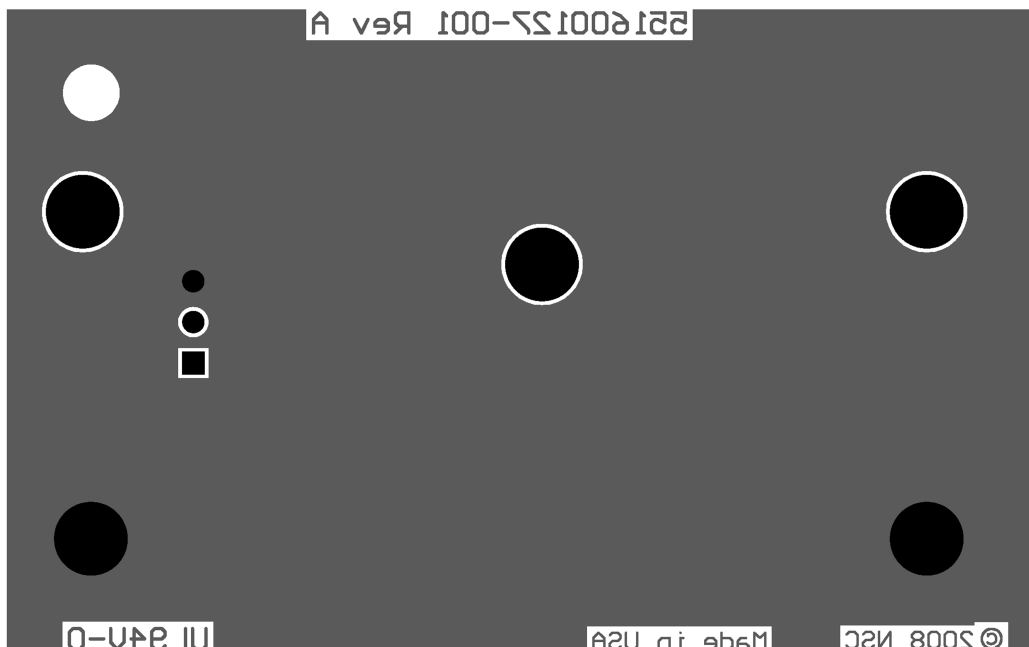


Figure 7. Bottom Layer and Bottom Overlay

IMPORTANT NOTICE

Texas Instruments Incorporated and its subsidiaries (TI) reserve the right to make corrections, enhancements, improvements and other changes to its semiconductor products and services per JESD46, latest issue, and to discontinue any product or service per JESD48, latest issue. Buyers should obtain the latest relevant information before placing orders and should verify that such information is current and complete. All semiconductor products (also referred to herein as "components") are sold subject to TI's terms and conditions of sale supplied at the time of order acknowledgment.

TI warrants performance of its components to the specifications applicable at the time of sale, in accordance with the warranty in TI's terms and conditions of sale of semiconductor products. Testing and other quality control techniques are used to the extent TI deems necessary to support this warranty. Except where mandated by applicable law, testing of all parameters of each component is not necessarily performed.

TI assumes no liability for applications assistance or the design of Buyers' products. Buyers are responsible for their products and applications using TI components. To minimize the risks associated with Buyers' products and applications, Buyers should provide adequate design and operating safeguards.

TI does not warrant or represent that any license, either express or implied, is granted under any patent right, copyright, mask work right, or other intellectual property right relating to any combination, machine, or process in which TI components or services are used. Information published by TI regarding third-party products or services does not constitute a license to use such products or services or a warranty or endorsement thereof. Use of such information may require a license from a third party under the patents or other intellectual property of the third party, or a license from TI under the patents or other intellectual property of TI.

Reproduction of significant portions of TI information in TI data books or data sheets is permissible only if reproduction is without alteration and is accompanied by all associated warranties, conditions, limitations, and notices. TI is not responsible or liable for such altered documentation. Information of third parties may be subject to additional restrictions.

Resale of TI components or services with statements different from or beyond the parameters stated by TI for that component or service voids all express and any implied warranties for the associated TI component or service and is an unfair and deceptive business practice. TI is not responsible or liable for any such statements.

Buyer acknowledges and agrees that it is solely responsible for compliance with all legal, regulatory and safety-related requirements concerning its products, and any use of TI components in its applications, notwithstanding any applications-related information or support that may be provided by TI. Buyer represents and agrees that it has all the necessary expertise to create and implement safeguards which anticipate dangerous consequences of failures, monitor failures and their consequences, lessen the likelihood of failures that might cause harm and take appropriate remedial actions. Buyer will fully indemnify TI and its representatives against any damages arising out of the use of any TI components in safety-critical applications.

In some cases, TI components may be promoted specifically to facilitate safety-related applications. With such components, TI's goal is to help enable customers to design and create their own end-product solutions that meet applicable functional safety standards and requirements. Nonetheless, such components are subject to these terms.

No TI components are authorized for use in FDA Class III (or similar life-critical medical equipment) unless authorized officers of the parties have executed a special agreement specifically governing such use.

Only those TI components which TI has specifically designated as military grade or "enhanced plastic" are designed and intended for use in military/aerospace applications or environments. Buyer acknowledges and agrees that any military or aerospace use of TI components which have **not** been so designated is solely at the Buyer's risk, and that Buyer is solely responsible for compliance with all legal and regulatory requirements in connection with such use.

TI has specifically designated certain components as meeting ISO/TS16949 requirements, mainly for automotive use. In any case of use of non-designated products, TI will not be responsible for any failure to meet ISO/TS16949.

Products

Audio	www.ti.com/audio
Amplifiers	amplifier.ti.com
Data Converters	dataconverter.ti.com
DLP® Products	www.dlp.com
DSP	dsp.ti.com
Clocks and Timers	www.ti.com/clocks
Interface	interface.ti.com
Logic	logic.ti.com
Power Mgmt	power.ti.com
Microcontrollers	microcontroller.ti.com
RFID	www.ti-rfid.com
OMAP Applications Processors	www.ti.com/omap
Wireless Connectivity	www.ti.com/wirelessconnectivity

Applications

Automotive and Transportation	www.ti.com/automotive
Communications and Telecom	www.ti.com/communications
Computers and Peripherals	www.ti.com/computers
Consumer Electronics	www.ti.com/consumer-apps
Energy and Lighting	www.ti.com/energy
Industrial	www.ti.com/industrial
Medical	www.ti.com/medical
Security	www.ti.com/security
Space, Avionics and Defense	www.ti.com/space-avionics-defense
Video and Imaging	www.ti.com/video

TI E2E Community

e2e.ti.com