

Precision Rotative Transducers, Conductive Plastic, Bushing Mounting



A complete range of bushing mounting rotational motion transducers.

FEATURES

- Size 08 to 30
- Linearity $\pm 1\%$ down to $\pm 0.05\%$
- Good repeatability
- Long life
- Essentially infinite resolution
- Up to 6 electrical functions with the same shaft
- On request custom design to meet your specifications
- Following MIL-R-39023 and NFC 93-255 requirements



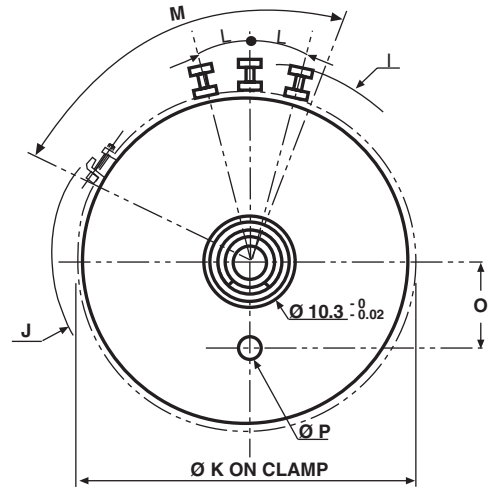
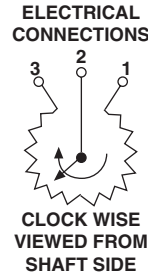
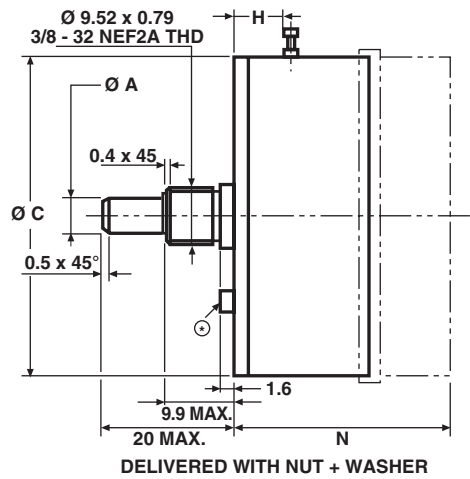
SIZE	08	09	11	13	15	18	20	30
MODEL	34 BF	78 BF	116 BF	156 BF	176 BF	134 BF	200 BF	300 BF

ELECTRICAL SPECIFICATIONS									
Functions	Linear, on request specific law								
Theoretical Electrical Angle (TEA)	Actual electrical angle (AEA) - 2°								
Independent Linearity (over TEA) Best Linearity Available	A $\leq \pm 1\%$		or		B $\leq \pm 0.5\%$		or		C $\leq \pm 0.25\%$
	C $\leq \pm 0.25\%$		Down to D $\leq \pm 0.1\%$			Down to E $\leq \pm 0.05\%$			
Actual Electrical Angle (AEA)	340° $\pm 3^\circ$				350° $\pm 2^\circ$				
Ohmic Values (R_T)	1 k Ω - 2 k Ω - 5 k Ω - 10 k Ω - on request other values								
Ohmic Value Tolerances at 20 °C	$\pm 10\%$								
Output Smoothness	$\leq 0.05\%$					$\leq 0.025\%$			
Maximum Power Rating at 70 °C	0.25 W	0.3 W	0.4 W	0.5 W	0.75 W	1.0 W	1.2 W	1.5 W	
Wiper Current	Recommended: a few μA - 1 mA max. (continuous)								
Tap (Current or Voltage) On Request with Angular Position to be Specified	U = current		{ Position: $\pm 2^\circ$ { Width: $\leq 4^\circ$		/ T = voltage		Position: $\pm 2^\circ$		
Load Resistance on Wiper (R_L)	min. $10^3 \times R_T$								
Repeatability	$\leq 0.02\%$								
End Voltage	$\leq 0.4\%$ for $470 \Omega \leq R_T \leq 1000 \Omega$ / $\leq 0.2\%$ for $1000 \Omega < R_T \leq 2200 \Omega$ / $\leq 0.1\%$ for $R_T > 2200 \Omega$								
Insulation Resistance	$\geq 1000 \text{ M}\Omega$, 500 V _{DC}								
Dielectric Strength	$\geq 750 \text{ V}_{\text{RMS}}$, 50 Hz				$\geq 1000 \text{ V}_{\text{RMS}}$, 50 Hz				

MECHANICAL SPECIFICATIONS									
Mechanical Rotation	360° continuous; stops on request								
Mounting Type	Bushing								
Shaft Guiding	Sleeve bearings; on request ball bearings								
Shaft	Stainless steel								
Housing	Plastic moulding; on request anodized aluminum								
Termination	Turrets; on request flexible leads, cables...								
Wiper	Precious metal multi-finger contact								
Starting Torque (N.cm)	≤ 0.5 1 cup; ≤ 0.3 for each additional cup								
Moment of Inertia (g. cm ²)	0.3	0.4	0.6	0.8	2.2	2.8	3.5	10	
	1 cup	11 ± 2	20 ± 2	21 ± 2	30 ± 2	33 ± 2	45 ± 3	54 ± 3	120 ± 10
Weight (g)	each additional cup	5 ± 2	6 ± 2	7 ± 2	14 ± 2	16 ± 2	18 ± 3	21 ± 3	62 ± 10

PERFORMANCE	
Life (Million of Cycles)	≥ 20
Temperature Range	- 55 °C to + 125 °C
Climatic Category	55/125/04
Rotation Speed (RPM)	150

DIMENSIONS in millimeters, general tolerance ± 0.5 mm



Note:
• On Request

DIMENSIONS	DESIGNATION	SIZE	POTENTIOMETER REFERENCE							
			MODEL	08	09	11	13	15	18	20
A - 0 - 0.013	\varnothing shaft		34 BF	78 BF	116 BF	156 BF	176 BF	134 BF	200 BF	300 BF
C max.	\varnothing body		19.18	22.3	27.07	33.35	36.6	44.5	50.9	76.4
H min.	Turret location		4.2	4.7	5.35	5.35	8	8	7.45	5.55
I max.	Radius on turrets		14	15.4	17.3	20.8	23.1	26.6	29.7	43.7
J max.	Radius on screw clamp		13.5	15.4	17.3	18.9	23.1	26.5	29.3	42.6
K	\varnothing on clamp		19.6	23.8	27.7	33.6	37.4	44.5	50.8	77.5
O	Locating pin (on request)		7.2	8	8.8	9	14.4	16.8	13.48	-
P max.	\varnothing pin (on request)		1.6	1.6	3.25	3.25	3.25	3.25	-	-
$L \pm 2^\circ$	Angle between turrets		30°	30°	25°	20°	20°	25°	15°	15°
M max.	Total angle		100°	100°	100°	100°	80°	80°	80°	80°
N max.	1 cup		14.5	19	19	19	21	21	21	20.5
	2 cups		21.5	25	21.5	24	24.5	24.5	26	23.5
	3 cups		34.5	38	34.5	38	37.5	37.5	38	-
	4 cups		40.5	48	40.5	45.5	48	48	48	-
	5 cups		53	61	53	59	60.5	61	62	-
	6 cups		59	72	59	67	72	72	72	-

ORDERING INFORMATION/DESCRIPTION

ROT	156	B	F	1	C	T	502	e1
SERIES	SIZE	MOUNTING TYPE	CONDUCTOR	NUMBER OF CUPS	LINEARITY	TAP	OHMIC VALUE	LEAD FINISH
		B: Bushing	F: Plastic film	From 1 up to 6	A: $\pm 1\%$ B: $\pm 0.5\%$ C: $\pm 0.25\%$ D: $\pm 0.1\%$ E: $\pm 0.05\%$	On request T: Voltage U: Current position to be specified	First 2 digits are significant numbers 3rd digit indicates number of zeros	

Special characteristics and designs on request

SAP PART NUMBERING GUIDELINES

RO 116BF	1	D	103
MODEL	GANG NUMBER	LINEARITY	OHMIC VALUE
	From 1 up to 6		10 k Ω



Disclaimer

All product specifications and data are subject to change without notice.

Vishay Intertechnology, Inc., its affiliates, agents, and employees, and all persons acting on its or their behalf (collectively, "Vishay"), disclaim any and all liability for any errors, inaccuracies or incompleteness contained herein or in any other disclosure relating to any product.

Vishay disclaims any and all liability arising out of the use or application of any product described herein or of any information provided herein to the maximum extent permitted by law. The product specifications do not expand or otherwise modify Vishay's terms and conditions of purchase, including but not limited to the warranty expressed therein, which apply to these products.

No license, express or implied, by estoppel or otherwise, to any intellectual property rights is granted by this document or by any conduct of Vishay.

The products shown herein are not designed for use in medical, life-saving, or life-sustaining applications unless otherwise expressly indicated. Customers using or selling Vishay products not expressly indicated for use in such applications do so entirely at their own risk and agree to fully indemnify Vishay for any damages arising or resulting from such use or sale. Please contact authorized Vishay personnel to obtain written terms and conditions regarding products designed for such applications.

Product names and markings noted herein may be trademarks of their respective owners.