

**PLEASE CHECK WWW.MOLEX.COM FOR LATEST PART INFORMATION**

**Part Number:** [1051321002](#)  
**Status:** **Active**  
**Overview:** [esatausb\\_combo\\_receptacles](#)  
**Description:** Combo External Serial ATA and USB Receptacles, Right Angle, Through hole, Top Mount, Sink type, Lead free

**Documents:**

[Drawing \(PDF\)](#) [RoHS Certificate of Compliance \(PDF\)](#)

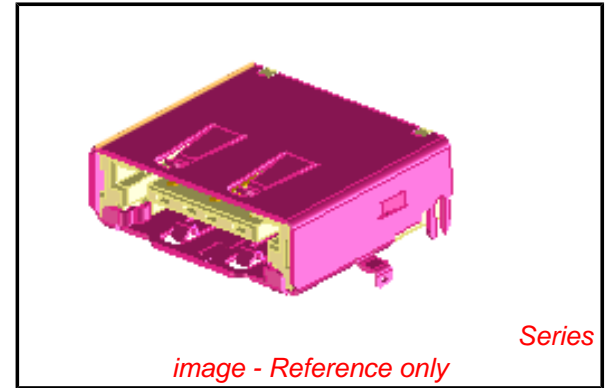
**General**

Product Family	I/O Connectors
Series	<a href="#">105132</a>
Application	Wire-to-Board
Comments	Shortest hind forklocks . Lower through hole type front solder tabs . Top mounted on recessed PCB . Durability: 1,500 cycles for USB; 2,500 cycles for eSATA
Component Type	Receptacle
Overview	<a href="#">esatausb_combo_receptacles</a>
Product Name	eSATA/USB Combo, External Serial ATA, USB
Type	N/A

**Physical**

Circuits (Loaded)	4, 7
Circuits Detail	eSATA: 7 circuits; USB: 4 circuits
Color - Resin	Black
Durability (mating cycles max)	1,500
Gender	Male
Keying to Mating Part	Yes
Lock to Mating Part	Yes
Material - Metal	Copper Alloy
Material - Plating Mating	Gold
Material - Plating Termination	Tin
Material - Resin	High Temperature Thermoplastic
Number of Rows	2
Orientation	Right Angle
PCB Locator	No
PCB Retention	Yes
PCB Thickness Recommended (in)	0.055 In
PCB Thickness Recommended (mm)	1.40 mm
Packaging Type	Embossed Tape on Reel
Panel Mount	Yes
Pitch - Mating Interface (in)	0.050 In, 0.079 In, 0.098 In
Pitch - Mating Interface (mm)	1.27 mm, 2.00 mm, 2.50 mm
Pitch - Term. Interface (in)	0.050 In, 0.079 In, 0.098 In
Pitch - Term. Interface (mm)	1.27 mm, 2.00 mm, 2.50 mm
Plating min: Mating (µin)	30
Plating min: Mating (µm)	0.76
Plating min: Termination (µin)	80
Plating min: Termination (µm)	2
Polarized to Mating Part	Yes
Polarized to PCB	Yes
Ports	1
Temperature Range - Operating	-35°C to +85°C
Termination Interface: Style	Through Hole

**Electrical**



*image - Reference only*

*Series*

**EU RoHS**

**ELV and RoHS  
Compliant  
REACH SVHC  
Not Reviewed  
Halogen-Free  
Status  
Not Reviewed**

**China RoHS**



**Need more information on product environmental compliance?**

Email [productcompliance@molex.com](mailto:productcompliance@molex.com)  
 For a multiple part number RoHS Certificate of Compliance, [click here](#)

Please visit the [Contact Us](#) section for any non-product compliance questions.

**Search Parts in this Series**

[105132Series](#)

**Mates With**

External Serial ATA Cable Assembly or USB Type A Cable Assembly

Current - Maximum per Contact	1.5A
Grounding to Panel	Yes
Shield Type	Full Shield
Shielded	Yes
Voltage - Maximum	15V DC

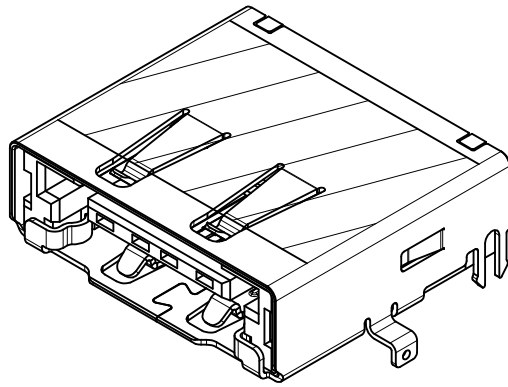
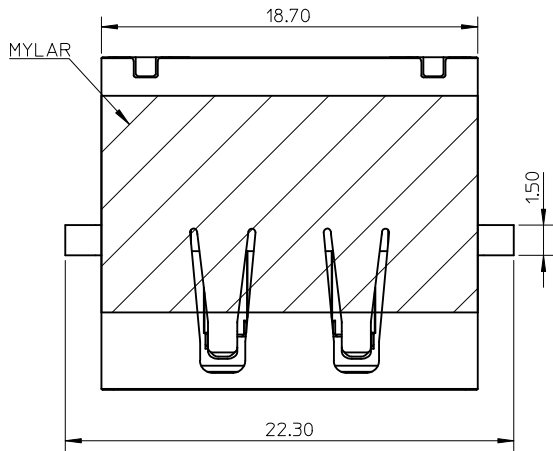
### **Material Info**

### **Reference - Drawing Numbers**

Packaging Specification	PK-105132-100
Sales Drawing	SD-105132-100

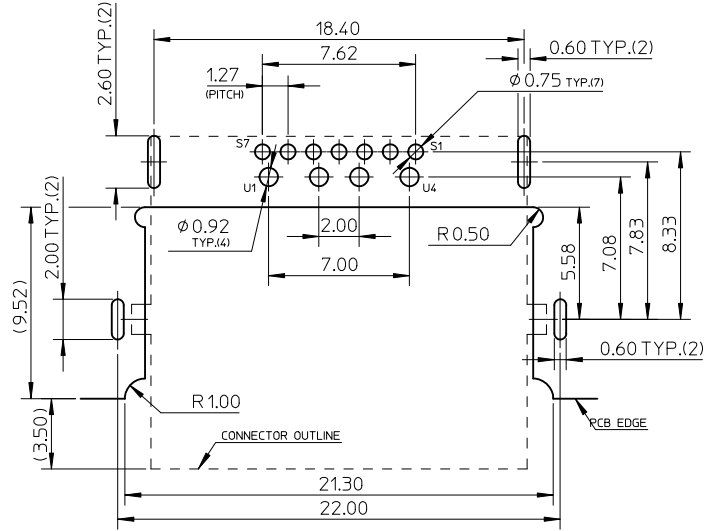
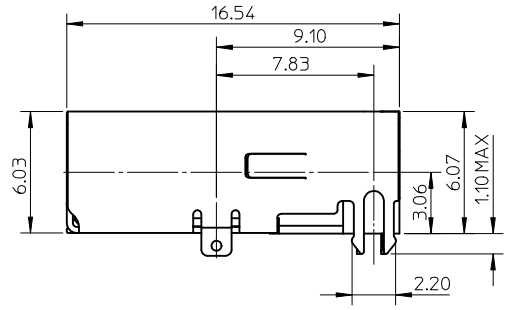
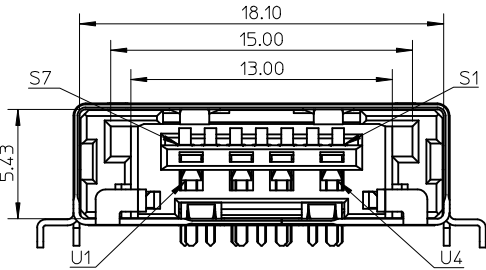
This document was generated on 05/31/2010

**PLEASE CHECK [WWW.MOLEX.COM](http://WWW.MOLEX.COM) FOR LATEST PART INFORMATION**



NOTES:

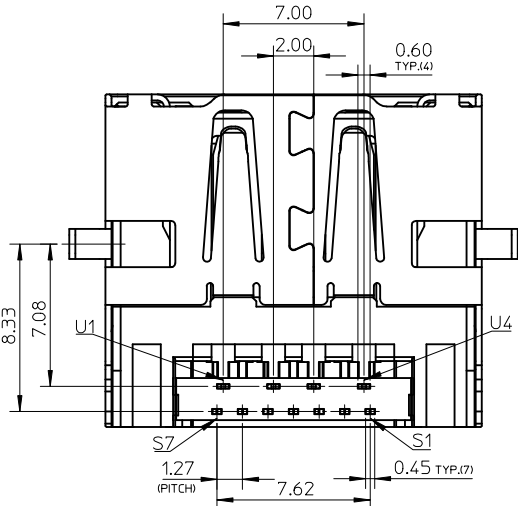
- MATERIAL:
  - HOUSING: HIGH TEMPERATURE THERMOPLASTIC, 30% GLASS FILLED, BLACK, UL94V-0.
  - TAIL GUIDER: HIGH TEMPERATURE THERMOPLASTIC, 30% GLASS FILLED, BLACK, UL94V-0.
  - TERMINAL-1: COPPER ALLOY.
  - TERMINAL-2: COPPER ALLOY.
  - METAL SHELL: STAINLESS STEEL.
- TERMINAL PLATING:
  - CONTACT AREA: GOLD PLATING. SEE TABLE
  - SOLDER AREA: MATTE TIN PLATING, 2.0 MICROMETERS MINIMUM.
  - UNDER PLATING: NICKEL PLATING, 2.0 MICROMETERS MINIMUM.
- METAL SHELL PLATING: SOLDERABLE NICKEL PLATING.
- PRODUCT SPECIFICATION: PS-47403-001.
- PACKAGE SPECIFICATION: PK-105132-100.
- PRODUCT COMPLIANT TO RoSH DIRECTIVE 2002/95/EC AND ELV DIRECTIVE 2000/53/EC.



RECOMMEND PCB LAYOUT T=1.40  
PCB TOLERANCE = ±0.05

PIN ASSIGNMENT

USB		ESATA	
NAME	TYPE	NAME	TYPE
U1	VBUS	S1	GND
U2	D-	S2	A+
U3	D+	S3	A-
U4	GND	S4	GND
		S5	B-
		S6	B+
		S7	GND



P/N	GOLD PLATING SPEC
105132-1000	GOLD FLASH
105132-1001	15u" MINIMUM
105132-1002	30u" MINIMUM

<p><b>NEW RELEASE</b></p> <p>EC NO: SH2010-0291</p> <p>DRWNG:LLI 2010/02/08</p> <p>CHKD:STARY SONG 2009/10/15</p> <p>APPR:RZHANG 2010/02/26</p>	<p>QUALITY SYMBOLS</p> <p>▽=0</p> <p>▽=0</p> <p>▽=0</p>	<p>GENERAL TOLERANCES (UNLESS SPECIFIED)</p>		<p>DIMENSION STYLE</p> <p><b>MM ONLY</b></p>	<p>SCALE</p> <p><b>4:1</b></p>	<p>DESIGN UNITS</p> <p><b>METRIC</b></p>	<p>THIRD ANGLE PROJECTION</p>	
		<p>4 PLACES ± --- ± ---</p>	<p>3 PLACES ± --- ± ---</p>	<p>DRAWN BY</p> <p>DIXON LI</p>	<p>DATE</p> <p>2009/10/15</p>	<p>TITLE</p> <p><b>COMBO OF ESATA &amp; USB TOP MOUNT, SINK TYPE</b></p>		
		<p>2 PLACES ± --- ± ---</p>	<p>1 PLACE ± 0.25 ± ---</p>	<p>CHECKED BY</p> <p>STARY SONG</p>	<p>DATE</p> <p>2009/10/15</p>	<p>MOLEX INCORPORATED</p>		
		<p>ANGULAR ± 3°</p>		<p>APPROVED BY</p> <p>RZHANG</p>	<p>DATE</p> <p>2010/02/12</p>	<p>MATERIAL NO.</p> <p><b>SEE CHART</b></p>	<p>DOCUMENT NO.</p> <p><b>SD-105132-100</b></p>	<p>SHEET NO.</p> <p><b>1 OF 1</b></p>

DRAFT WHERE APPLICABLE MUST REMAIN WITHIN DIMENSIONS

THIS DRAWING CONTAINS INFORMATION THAT IS PROPRIETARY TO MOLEX INCORPORATED AND SHOULD NOT BE USED WITHOUT WRITTEN PERMISSION